



STD95N2LH5 STU95N2LH5

N-channel 25 V, 0.0038 Ω , 80 A - DPAK - IPAK
STripFET™ V Power MOSFET

Features

| Type | V _{DSS} | R _{DS(on)} | I _D |
|------------|------------------|---------------------|----------------|
| STD95N2LH5 | 25 V | <0.0045 Ω | 80 A |
| STU95N2LH5 | 25 V | <0.0049 Ω | 80 A |

- R_{DS(on)} * Q_g industry benchmark
- Extremely low on-resistance R_{DS(on)}
- High avalanche ruggedness
- Low gate drive power losses

Application

Switching applications

Description

This product utilizes the 5th generation of design rules of ST's proprietary STripFET™ technology. The lowest available R_{DS(on)}*Q_g, in the standard packages, makes this device suitable for the most demanding DC-DC converter applications, where high power density is to be achieved.

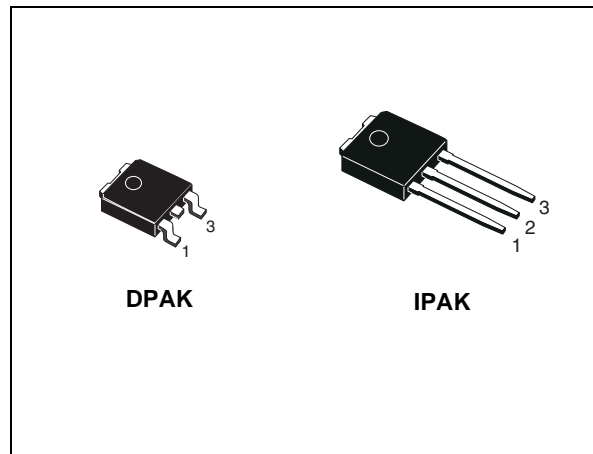


Figure 1. Internal schematic diagram

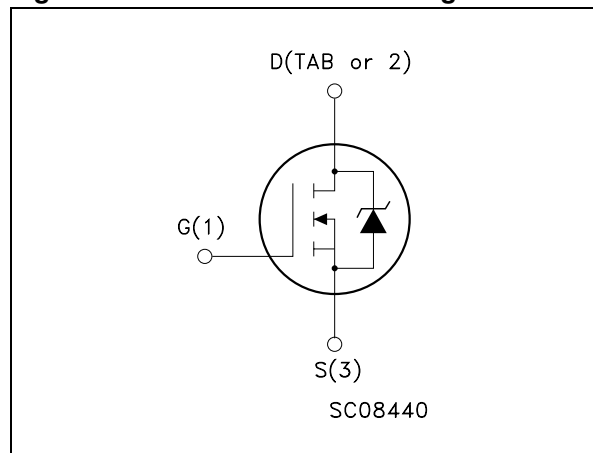


Table 1. Device summary

| Order codes | Marking | Package | Packaging |
|-------------|---------|---------|---------------|
| STD95N2LH5 | 95N2LH5 | DPAK | Tape and reel |
| STU95N2LH5 | 95N2LH5 | IPAK | Tube |

Contents

| | | |
|----------|---|-----------|
| 1 | Electrical ratings | 3 |
| 2 | Electrical characteristics | 4 |
| 2.1 | Electrical characteristics (curves) | 6 |
| 3 | Test circuit | 8 |
| 4 | Package mechanical data | 10 |
| 5 | Packaging mechanical data | 13 |
| 6 | Revision history | 14 |

1 Electrical ratings

Table 2. Absolute maximum ratings

| Symbol | Parameter | Value | Unit |
|--------------------|---|------------|------|
| V_{DS} | Drain-source voltage ($V_{GS}=0$) | 25 | V |
| V_{GS} | Gate-Source voltage | ± 22 | V |
| $I_D^{(1)}$ | Drain current (continuous) at $T_C = 25^\circ\text{C}$ | 80 | A |
| I_D | Drain current (continuous) at $T_C = 100^\circ\text{C}$ | 67 | A |
| $I_{DM}^{(2)}$ | Drain current (pulsed) | 320 | A |
| P_{TOT} | Total dissipation at $T_C = 25^\circ\text{C}$ | 70 | W |
| | Derating factor | 0.47 | W/°C |
| $E_{AS}^{(3)}$ | Single pulse avalanche energy | 165 | mJ |
| T_j T_{stg} | Operating junction temperature Storage temperature | -55 to 175 | °C |

1. Limited by wire bonding
2. Pulse width limited by safe operating area
3. Starting $T_j = 25^\circ\text{C}$, $I_d = 40\text{ A}$, $V_{dd} = 20\text{ V}$

Table 3. Thermal resistance

| Symbol | Parameter | Value | Unit |
|----------------|--|-------|------|
| $R_{thj-case}$ | Thermal resistance junction-case max | 2.14 | °C/W |
| $R_{thj-amb}$ | Thermal resistance junction-case max | 100 | °C/W |
| T_j | Maximum lead temperature for soldering purpose | 275 | °C |

2 Electrical characteristics

($T_{CASE}=25^{\circ}C$ unless otherwise specified)

Table 4. Static

| Symbol | Parameter | Test conditions | Min. | Typ. | Max. | Unit |
|---------------|--|--|------|--------|-----------|--------------------|
| $V_{(BR)DSS}$ | Drain-source breakdown Voltage | $I_D = 250 \mu A, V_{GS} = 0$ | 25 | | | V |
| I_{DSS} | Zero gate voltage drain current ($V_{GS} = 0$) | $V_{DS} = 25 V$ $V_{DS} = 25 V, T_c = 125^{\circ}C$ | | | 1 10 | μA μA |
| I_{GSS} | Gate body leakage current ($V_{DS} = 0$) | $V_{GS} = \pm 22 V$ | | | ± 100 | nA |
| $V_{GS(th)}$ | Gate threshold voltage | $V_{DS} = V_{GS}, I_D = 250 \mu A$ | 1 | | | V |
| $R_{DS(on)}$ | Static drain-source on resistance | $V_{GS} = 10 V, I_D = 40 A$ SMD version | | 0.0038 | 0.0045 | Ω |
| | | $V_{GS} = 10 V, I_D = 40 A$ | | 0.0044 | 0.0049 | Ω |
| | | $V_{GS} = 5 V, I_D = 40 A$ SMD version | | 0.005 | 0.006 | Ω |
| | | $V_{GS} = 5 V, I_D = 40 A$ | | 0.006 | 0.007 | Ω |

Table 5. Dynamic

| Symbol | Parameter | Test conditions | Min | Typ. | Max. | Unit |
|-----------|-------------------------------------|--|-----|------|------|----------|
| C_{iss} | Input capacitance | $V_{DS} = 25 V, f = 1 MHz,$ $V_{GS} = 0$ | | 1817 | | pF |
| C_{oss} | Output capacitance | | | 420 | | pF |
| C_{rss} | Reverse transfer capacitance | | | 67 | | pF |
| Q_g | Total gate charge | $V_{DD} = 13 V, I_D = 80 A$ | | 13.4 | | nC |
| Q_{gs} | Gate-source charge | $V_{GS} = 5 V$ | | 6.7 | | nC |
| Q_{gd} | Gate-drain charge | (see Figure 16) | | 4.1 | | nC |
| Q_{gs1} | Pre V_{th} gate-to-source charge | $V_{DD} = 13 V, I_D = 80 A$ (see Figure 19) | | 3.5 | | nC |
| Q_{gs2} | Post V_{th} gate-to-source charge | | | 3.2 | | nC |
| R_G | Gate input resistance | f=1 MHz gate bias Bias= 0 test signal level=20 mV open drain | | 1.1 | | Ω |

Table 6. Switching on/off (inductive load)

| Symbol | Parameter | Test conditions | Min. | Typ. | Max. | Unit |
|-----------------------|----------------------------------|--|------|---------|------|----------|
| $t_{d(on)}$ t_r | Turn-on delay time Rise time | $V_{DD}=12.5\text{ V}$, $I_D=40\text{ A}$, $R_G=4.7\ \Omega$, $V_{GS}=10\text{ V}$ <i>(see Figure 15)</i> | | 7 38 | | ns ns |
| $t_{d(off)}$ t_f | Turn-off delay time Fall time | $V_{DD}=12.5\text{ V}$, $I_D=40\text{ A}$, $R_G=4.7\ \Omega$, $V_{GS}=10\text{ V}$ <i>(see Figure 15)</i> | | 22 7 | | ns ns |

Table 7. Source drain diode

| Symbol | Parameter | Test conditions | Min. | Typ. | Max. | Unit |
|-----------------|-------------------------------|---|------|------|------|------|
| I_{SD} | Source-drain current | | | | 80 | A |
| $I_{SDM}^{(1)}$ | Source-drain current (pulsed) | | | | 320 | A |
| $V_{SD}^{(2)}$ | Forward on voltage | $I_{SD}=35\text{ A}$, $V_{GS}=0$ | | | 1.1 | V |
| t_{rr} | Reverse recovery time | $I_{SD}=80\text{ A}$, $V_{DD}=20\text{ V}$ | | 32.4 | | ns |
| Q_{rr} | Reverse recovery charge | $di/dt=100\text{ A}/\mu\text{s}$, | | 27.1 | | nC |
| I_{RRM} | Reverse recovery current | <i>(see Figure 17)</i> | | 1.7 | | A |

1. Pulse width limited by safe operating area
2. Pulsed: pulse duration = 300 μs , duty cycle 1.5%

2.1 Electrical characteristics (curves)

Figure 2. Safe operating area

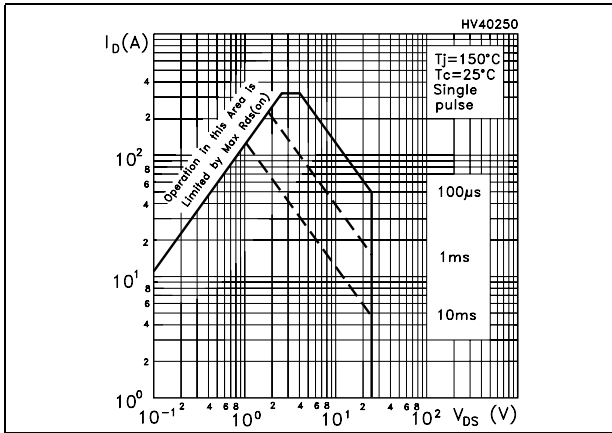


Figure 3. Thermal impedance

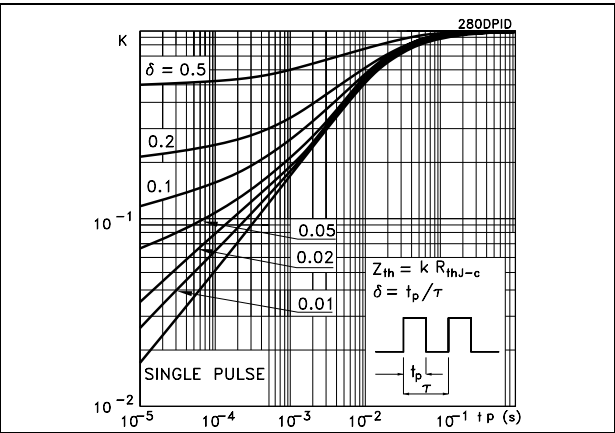


Figure 4. Output characteristics

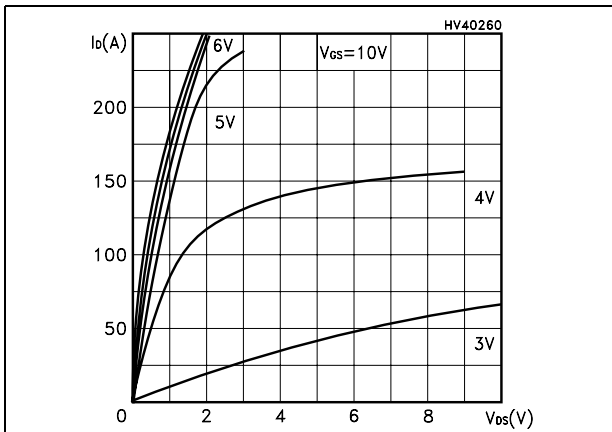


Figure 5. Transfer characteristics

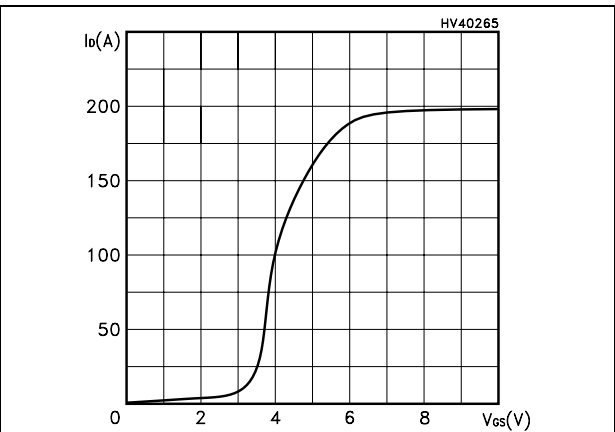


Figure 6. Normalized $B_{V_{DS}}$ vs temperature

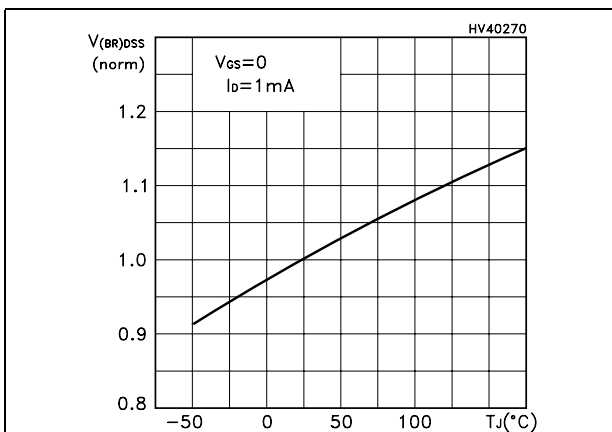


Figure 7. Static drain-source on resistance

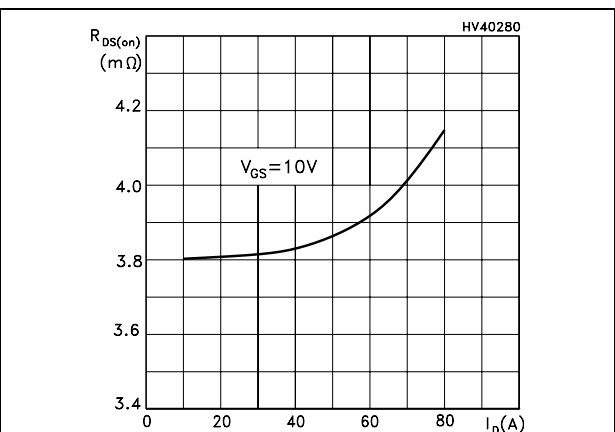


Figure 8. Gate charge vs gate-source voltage Figure 9. Capacitance variations

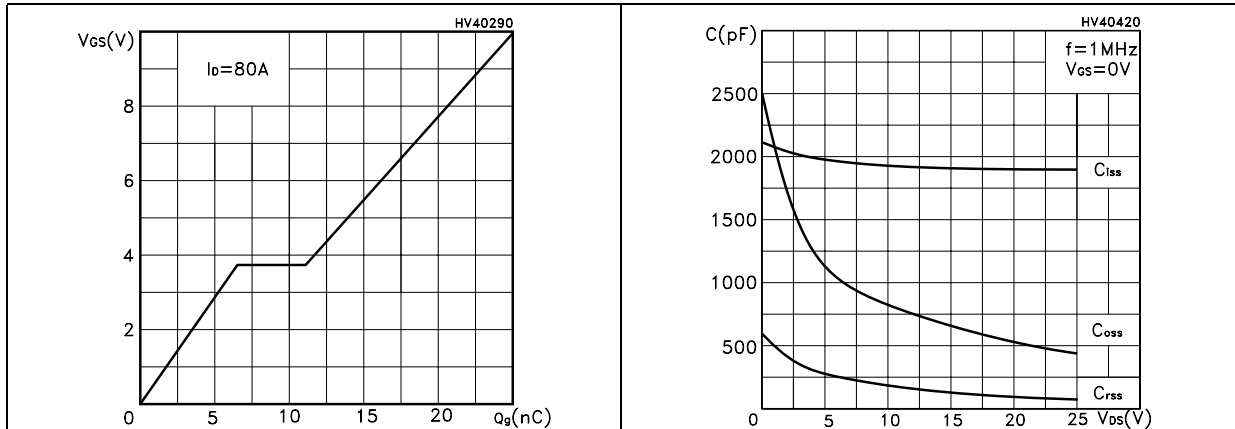


Figure 10. Normalized gate threshold voltage vs temperature Figure 11. Normalized on resistance vs temperature

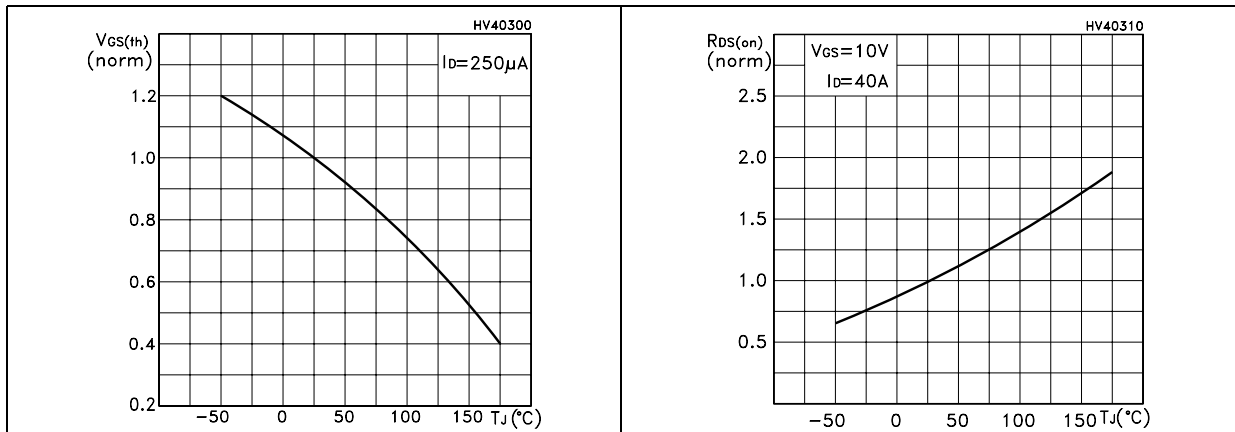
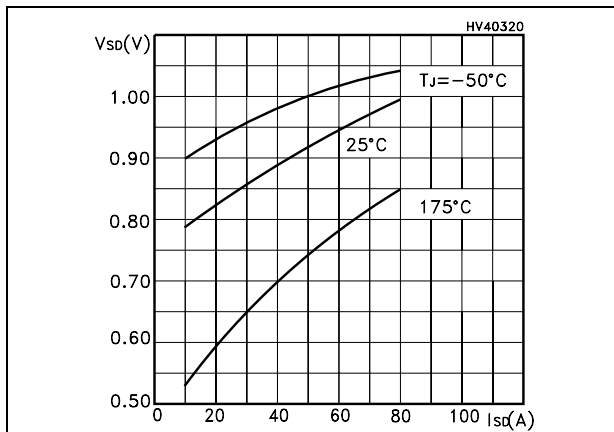


Figure 12. Source-drain diode forward characteristics



3 Test circuit

Figure 13. Unclamped inductive load test circuit

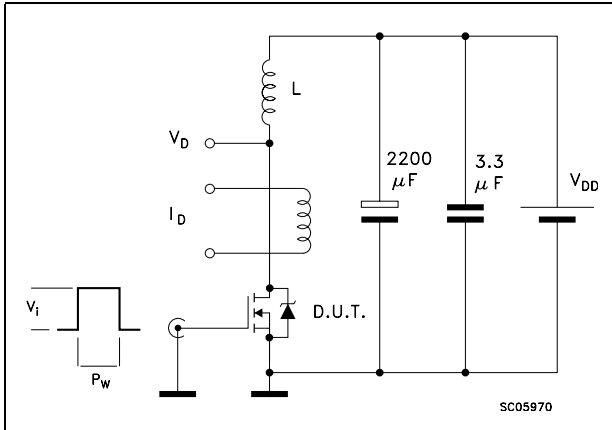


Figure 14. Unclamped inductive waveform

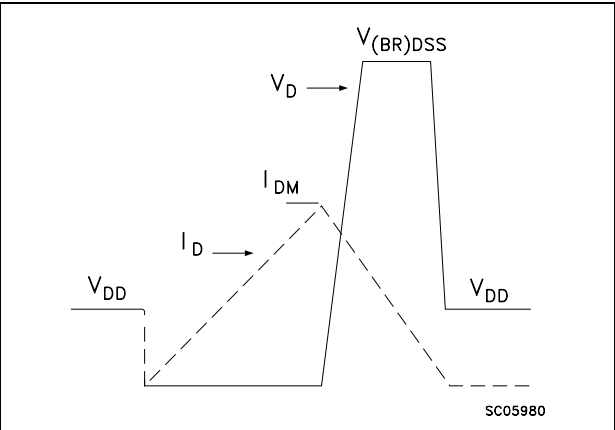


Figure 15. Switching times test circuit for resistive load

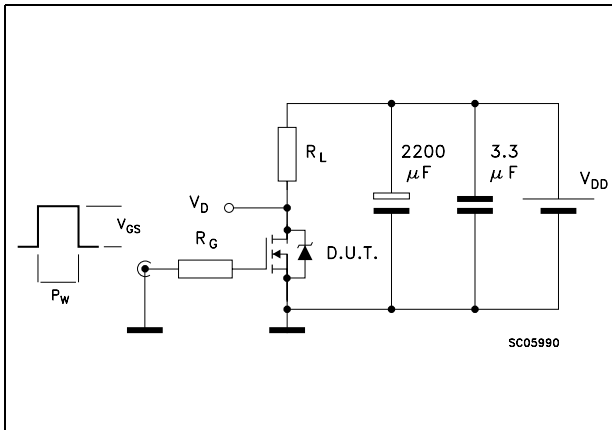


Figure 16. Gate charge test circuit

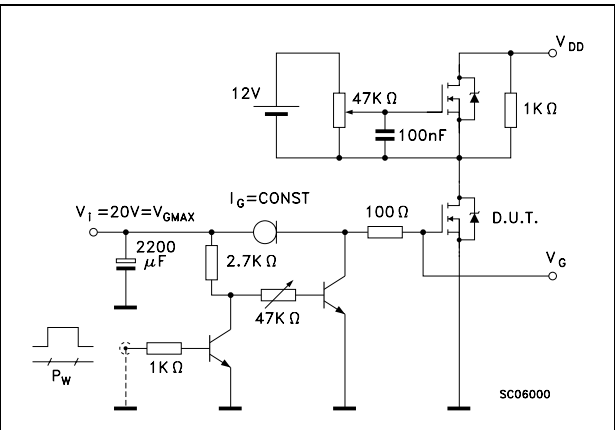


Figure 17. Test circuit for inductive load switching and diode recovery times

Figure 18. Switching time waveform

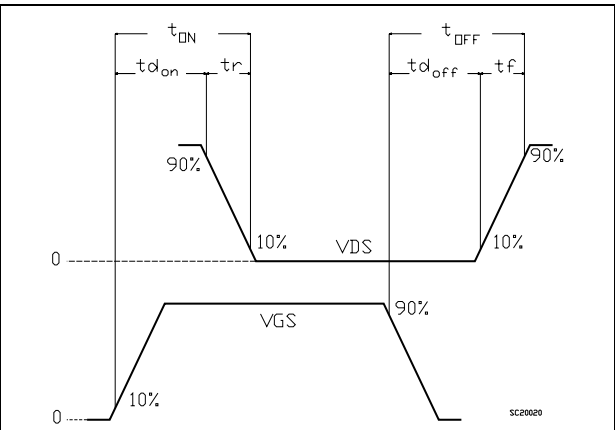
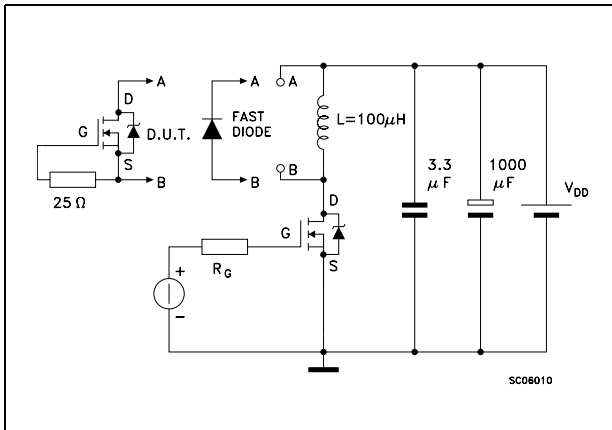
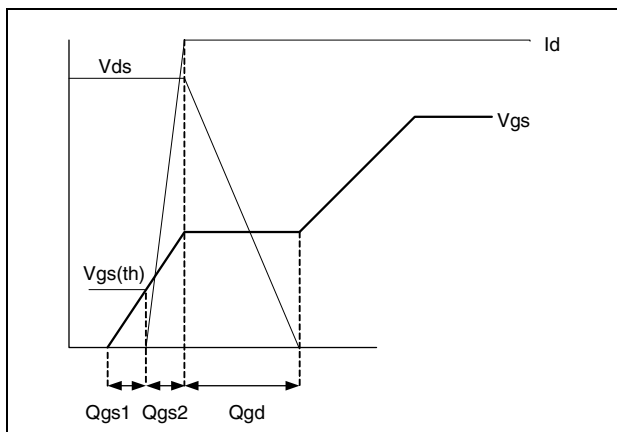


Figure 19. Gate charge waveform

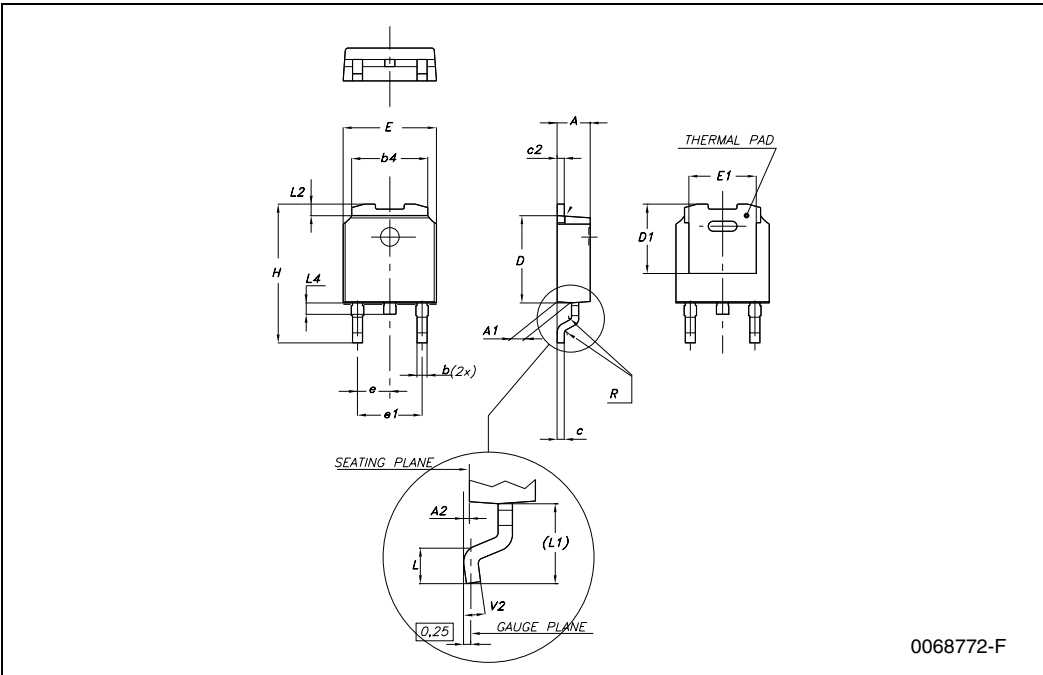


4 Package mechanical data

In order to meet environmental requirements, ST offers these devices in ECOPACK® packages. These packages have a lead-free second level interconnect. The category of second level interconnect is marked on the package and on the inner box label, in compliance with JEDEC Standard JESD97. The maximum ratings related to soldering conditions are also marked on the inner box label. ECOPACK is an ST trademark. ECOPACK specifications are available at: www.st.com

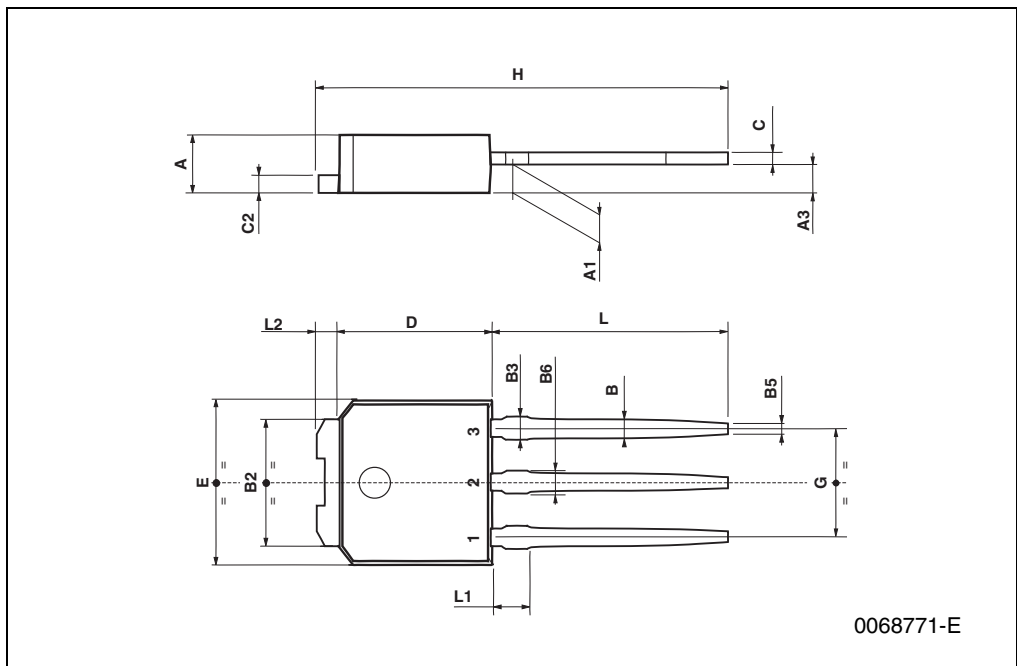
DPAK MECHANICAL DATA

| DIM. | mm. | | | inch | | |
|------|------|------|------|-------|-------|-------|
| | MIN. | TYP. | MAX. | MIN. | TYP. | MAX. |
| A | 2.2 | | 2.4 | 0.086 | | 0.094 |
| A1 | 0.9 | | 1.1 | 0.035 | | 0.043 |
| A2 | 0.03 | | 0.23 | 0.001 | | 0.009 |
| B | 0.64 | | 0.9 | 0.025 | | 0.035 |
| b4 | 5.2 | | 5.4 | 0.204 | | 0.212 |
| C | 0.45 | | 0.6 | 0.017 | | 0.023 |
| C2 | 0.48 | | 0.6 | 0.019 | | 0.023 |
| D | 6 | | 6.2 | 0.236 | | 0.244 |
| D1 | | 5.1 | | | 0.200 | |
| E | 6.4 | | 6.6 | 0.252 | | 0.260 |
| E1 | | 4.7 | | | 0.185 | |
| e | | 2.28 | | | 0.090 | |
| e1 | 4.4 | | 4.6 | 0.173 | | 0.181 |
| H | 9.35 | | 10.1 | 0.368 | | 0.397 |
| L | 1 | | | 0.039 | | |
| (L1) | | 2.8 | | | 0.110 | |
| L2 | | 0.8 | | | 0.031 | |
| L4 | 0.6 | | 1 | 0.023 | | 0.039 |
| R | | 0.2 | | | 0.008 | |
| V2 | 0° | | 8° | 0° | | 8° |



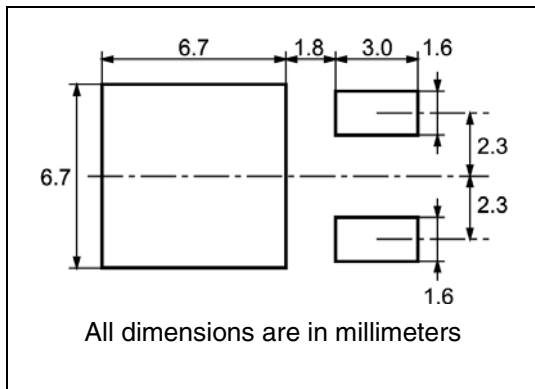
TO-251 (IPAK) MECHANICAL DATA

| DIM. | mm | | | inch | | |
|------|------|------|------|-------|-------|-------|
| | MIN. | TYP. | MAX. | MIN. | TYP. | MAX. |
| A | 2.2 | | 2.4 | 0.086 | | 0.094 |
| A1 | 0.9 | | 1.1 | 0.035 | | 0.043 |
| A3 | 0.7 | | 1.3 | 0.027 | | 0.051 |
| B | 0.64 | | 0.9 | 0.025 | | 0.031 |
| B2 | 5.2 | | 5.4 | 0.204 | | 0.212 |
| B3 | | | 0.85 | | | 0.033 |
| B5 | | 0.3 | | | 0.012 | |
| B6 | | | 0.95 | | | 0.037 |
| C | 0.45 | | 0.6 | 0.017 | | 0.023 |
| C2 | 0.48 | | 0.6 | 0.019 | | 0.023 |
| D | 6 | | 6.2 | 0.236 | | 0.244 |
| E | 6.4 | | 6.6 | 0.252 | | 0.260 |
| G | 4.4 | | 4.6 | 0.173 | | 0.181 |
| H | 15.9 | | 16.3 | 0.626 | | 0.641 |
| L | 9 | | 9.4 | 0.354 | | 0.370 |
| L1 | 0.8 | | 1.2 | 0.031 | | 0.047 |
| L2 | | 0.8 | 1 | | 0.031 | 0.039 |



5 Packaging mechanical data

DPAK FOOTPRINT



TAPE AND REEL SHIPMENT

REEL MECHANICAL DATA

| DIM. | mm | | inch | |
|------|------|------|-------|--------|
| | MIN. | MAX. | MIN. | MAX. |
| A | | 330 | | 12.992 |
| B | 1.5 | | 0.059 | |
| C | 12.8 | 13.2 | 0.504 | 0.520 |
| D | 20.2 | | 0.795 | |
| G | 16.4 | 18.4 | 0.645 | 0.724 |
| N | 50 | | 1.968 | |
| T | | 22.4 | | 0.881 |

| BASE QTY | BULK QTY |
|----------|----------|
| 2500 | 2500 |

TAPE MECHANICAL DATA

| DIM. | mm | | inch | |
|------|------|------|-------|-------|
| | MIN. | MAX. | MIN. | MAX. |
| A0 | 6.8 | 7 | 0.267 | 0.275 |
| B0 | 10.4 | 10.6 | 0.409 | 0.417 |
| B1 | | 12.1 | | 0.476 |
| D | 1.5 | 1.6 | 0.059 | 0.063 |
| D1 | 1.5 | | 0.059 | |
| E | 1.65 | 1.85 | 0.065 | 0.073 |
| F | 7.4 | 7.6 | 0.291 | 0.299 |
| K0 | 2.55 | 2.75 | 0.100 | 0.108 |
| P0 | 3.9 | 4.1 | 0.153 | 0.161 |
| P1 | 7.9 | 8.1 | 0.311 | 0.319 |
| P2 | 1.9 | 2.1 | 0.075 | 0.082 |
| R | 40 | | 1.574 | |
| W | 15.7 | 16.3 | 0.618 | 0.641 |

6 Revision history

Table 8. Document revision history

| Date | Revision | Changes |
|-------------|----------|--|
| 16-Oct-2007 | 1 | First release |
| 20-Feb-2008 | 2 | Modified Table 4.: Static |
| 23-Sep-2008 | 3 | V_{GS} value has been changed on Table 2 and Table 5 |

Please Read Carefully:

Information in this document is provided solely in connection with ST products. STMicroelectronics NV and its subsidiaries ("ST") reserve the right to make changes, corrections, modifications or improvements, to this document, and the products and services described herein at any time, without notice.

All ST products are sold pursuant to ST's terms and conditions of sale.

Purchasers are solely responsible for the choice, selection and use of the ST products and services described herein, and ST assumes no liability whatsoever relating to the choice, selection or use of the ST products and services described herein.

No license, express or implied, by estoppel or otherwise, to any intellectual property rights is granted under this document. If any part of this document refers to any third party products or services it shall not be deemed a license grant by ST for the use of such third party products or services, or any intellectual property contained therein or considered as a warranty covering the use in any manner whatsoever of such third party products or services or any intellectual property contained therein.

UNLESS OTHERWISE SET FORTH IN ST'S TERMS AND CONDITIONS OF SALE ST DISCLAIMS ANY EXPRESS OR IMPLIED WARRANTY WITH RESPECT TO THE USE AND/OR SALE OF ST PRODUCTS INCLUDING WITHOUT LIMITATION IMPLIED WARRANTIES OF MERCHANTABILITY, FITNESS FOR A PARTICULAR PURPOSE (AND THEIR EQUIVALENTS UNDER THE LAWS OF ANY JURISDICTION), OR INFRINGEMENT OF ANY PATENT, COPYRIGHT OR OTHER INTELLECTUAL PROPERTY RIGHT.

UNLESS EXPRESSLY APPROVED IN WRITING BY AN AUTHORIZED ST REPRESENTATIVE, ST PRODUCTS ARE NOT RECOMMENDED, AUTHORIZED OR WARRANTED FOR USE IN MILITARY, AIR CRAFT, SPACE, LIFE SAVING, OR LIFE SUSTAINING APPLICATIONS, NOR IN PRODUCTS OR SYSTEMS WHERE FAILURE OR MALFUNCTION MAY RESULT IN PERSONAL INJURY, DEATH, OR SEVERE PROPERTY OR ENVIRONMENTAL DAMAGE. ST PRODUCTS WHICH ARE NOT SPECIFIED AS "AUTOMOTIVE GRADE" MAY ONLY BE USED IN AUTOMOTIVE APPLICATIONS AT USER'S OWN RISK.

Resale of ST products with provisions different from the statements and/or technical features set forth in this document shall immediately void any warranty granted by ST for the ST product or service described herein and shall not create or extend in any manner whatsoever, any liability of ST.

ST and the ST logo are trademarks or registered trademarks of ST in various countries.

Information in this document supersedes and replaces all information previously supplied.

The ST logo is a registered trademark of STMicroelectronics. All other names are the property of their respective owners.

© 2008 STMicroelectronics - All rights reserved

STMicroelectronics group of companies

Australia - Belgium - Brazil - Canada - China - Czech Republic - Finland - France - Germany - Hong Kong - India - Israel - Italy - Japan - Malaysia - Malta - Morocco - Singapore - Spain - Sweden - Switzerland - United Kingdom - United States of America

www.st.com

